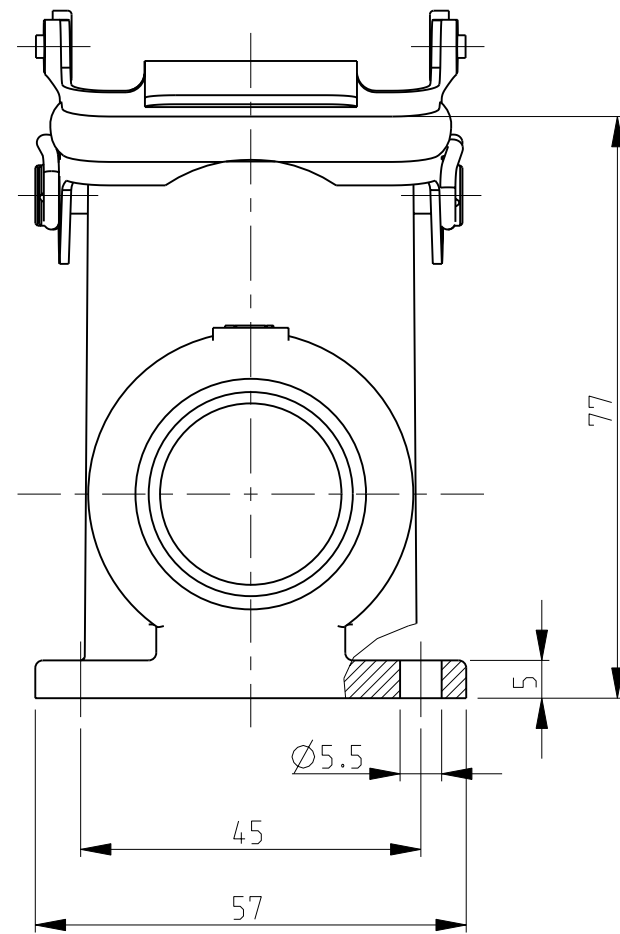
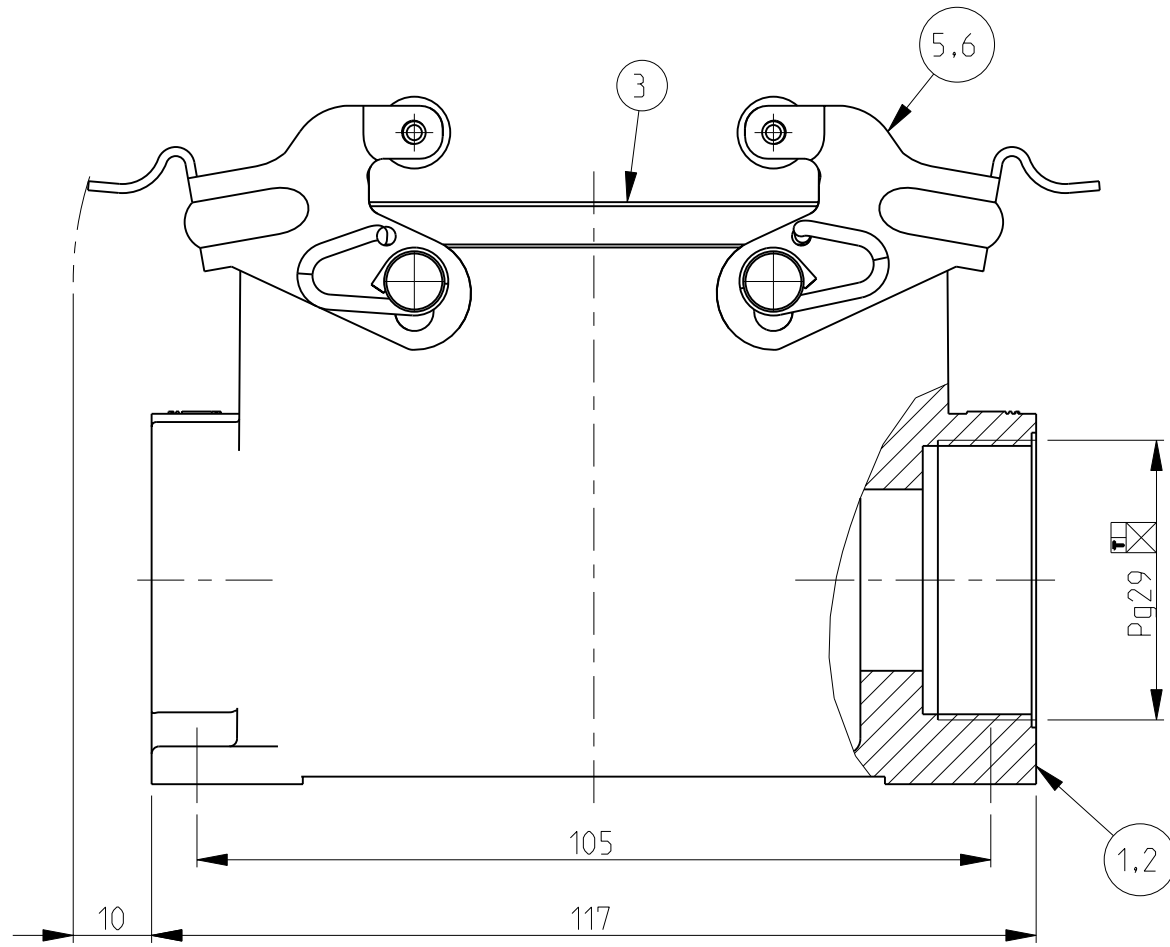


THIS DRAWING IS UNPUBLISHED. RELEASED FOR PUBLICATION .2000.  
 © COPYRIGHT 2000 BY TYCO ELECTRONICS CORPORATION. ALL RIGHTS RESERVED.

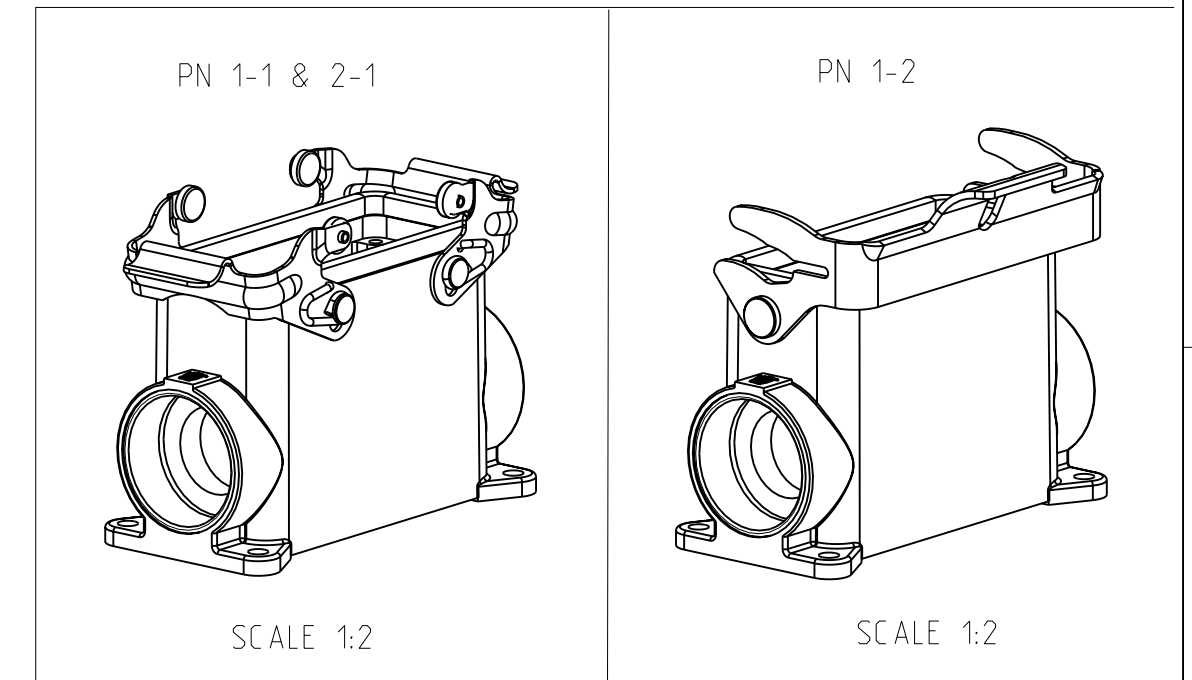
LOC	DIST	REVISIONS				
P	LTR	DESCRIPTION	DATE	DWN	APVD	
A1	-	Released as per ECR-08-015813	23.JUN.2008	SP	TS	

PN 1-1 & 2-1

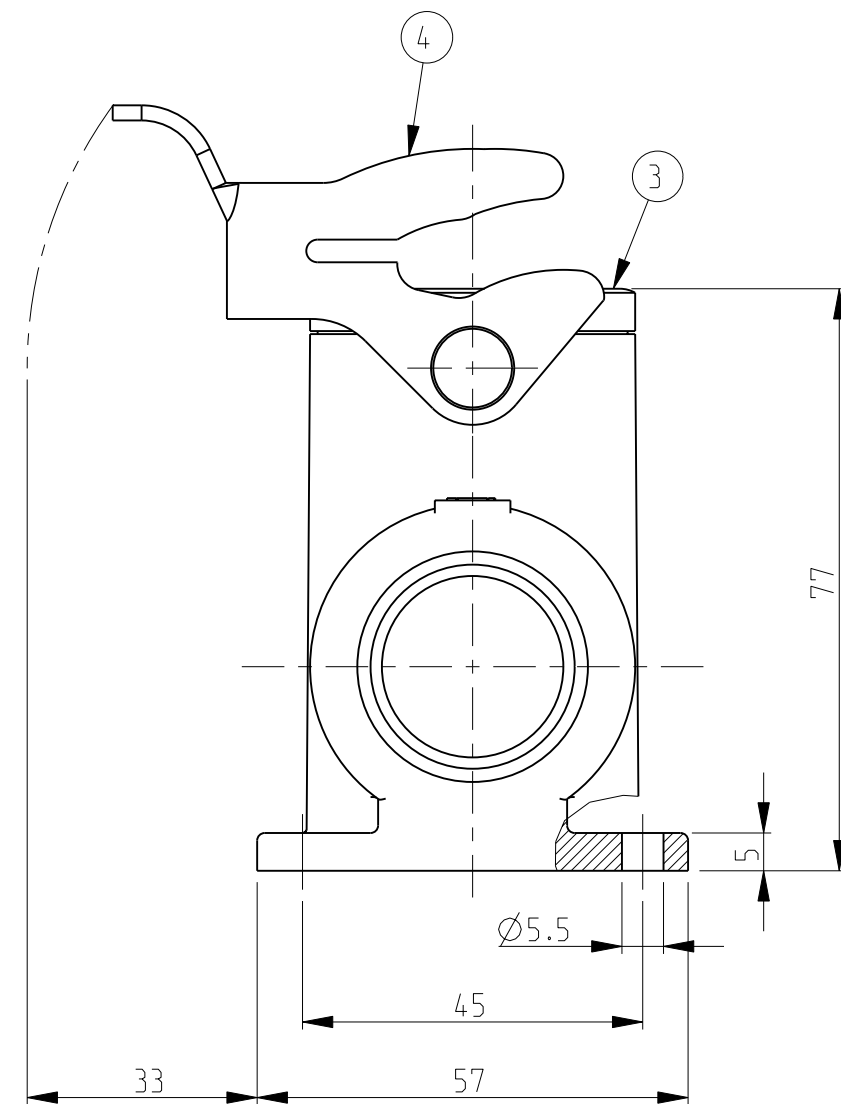
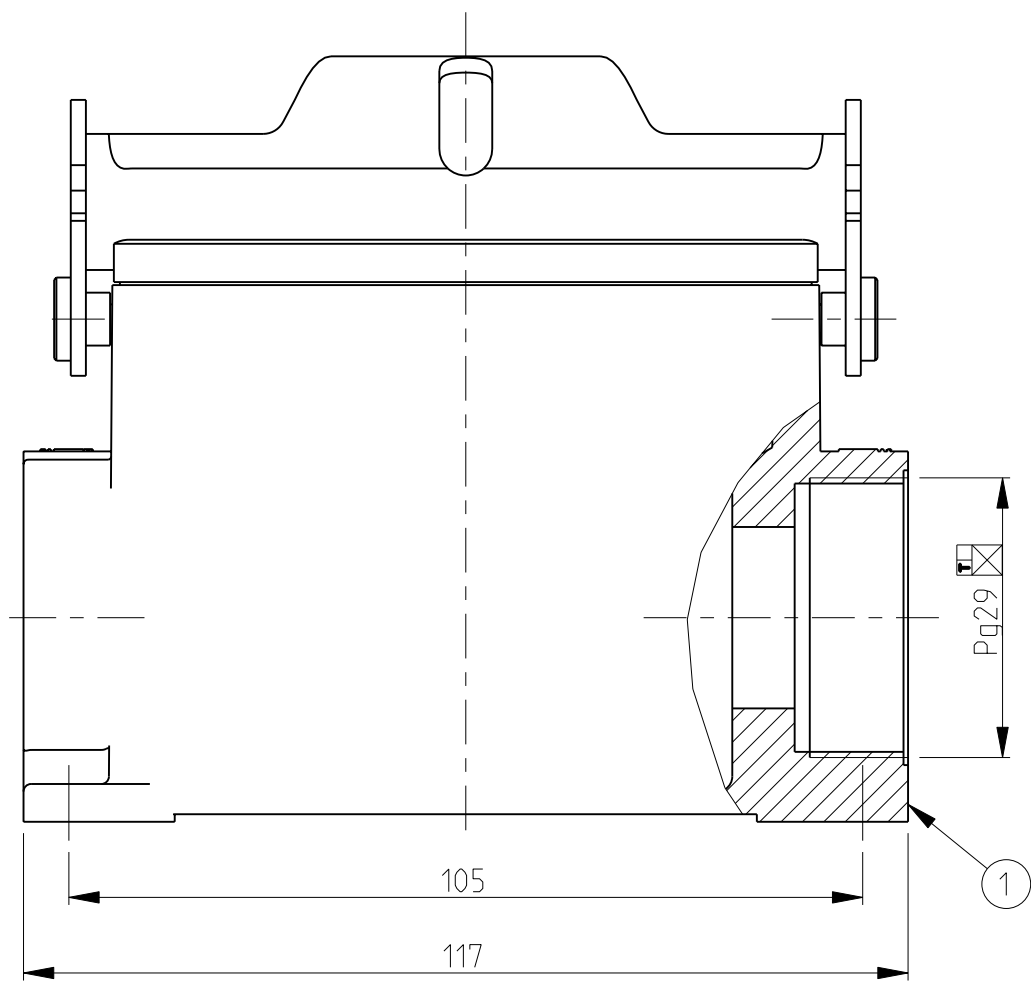


NOTES.

- 1 Material:Housing:Aluminium Diecasting Alloy  
Seals:Neoprene
- 2 Surface:Varnish grey  
-Aluminium Oxide +Varnish Black
- 3 Varnish on the inside not necessary
- 4 Packaging  
Quantity 5 Pieces in a box



PN 1-2



QTY	DESCRIPTION	MATERIAL	SURFACE	COLOR	ITEM NO	REMARKS		
2	Locking clip	Stainless steel	Blank		6			
2	Locking clip	Steel	Zinc plated	Blue	5			
1	LB-Side clip	Steel	Zinc plated	Blue	4			
1	1	1	Profile seal	Neoprene	Black	3		
1	1	1	Surface mounted housing side entry HD-K	Aluminium	Aluminium oxide	Black	2	
1	1	1	Surface mounted housing side entry HD	Aluminium		Grey	1	
1-2	2-1	1-1	DESCRIPTION	MATERIAL	SURFACE	COLOR	ITEM NO	REMARKS
ORDERING TEXT								
HD.40.SG-VS.1.29.Z								
HD-K.40.SG-VS.1.29.Z								
HD.40.SG-LB.1.29.Z								

THIS DRAWING IS A CONTROLLED DOCUMENT FOR TYCO ELECTRONICS CORPORATION IT IS SUBJECT TO CHANGE AND THE CONTROLLING ENGINEERING ORGANIZATION SHOULD BE CONTACTED FOR THE LATEST REVISION.		DWN Schneider 21.08.03 CHK Schneider 21.08.03	Tyco Electronics,AMP.GmbH D-53819,Neunkirchen,Germany
DIMENSIONS: mm	TOLERANCES UNLESS OTHERWISE SPECIFIED: ISO 2768-MS ISO 2768-MK DIN 16901-100	APVD - PRODUCT SPEC - APPLICATION SPEC - WEIGHT -	NAME Surface mounted housing side entry HD.40.SG-VS/LB.1.29.Z SIZE A2 CAGE CODE 00779 DRAWING NO C=1102579 RESTRICTED TO - SCALE 1:1 SHEET 1 OF 1 REV A2
MATERIAL FINISH		CUSTOMER DRAWING	